

## S-LINE 12.50 - 15.00 m

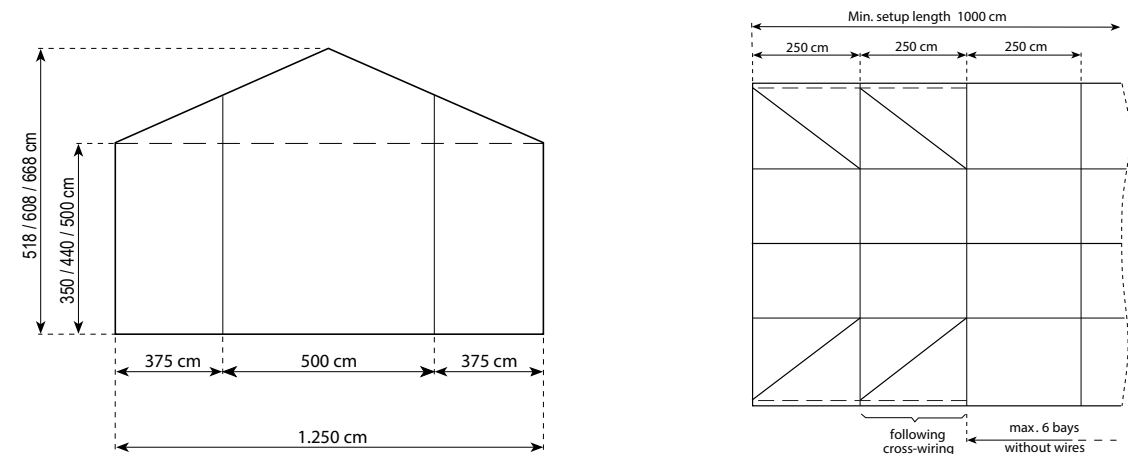


### TECHNICAL DATA

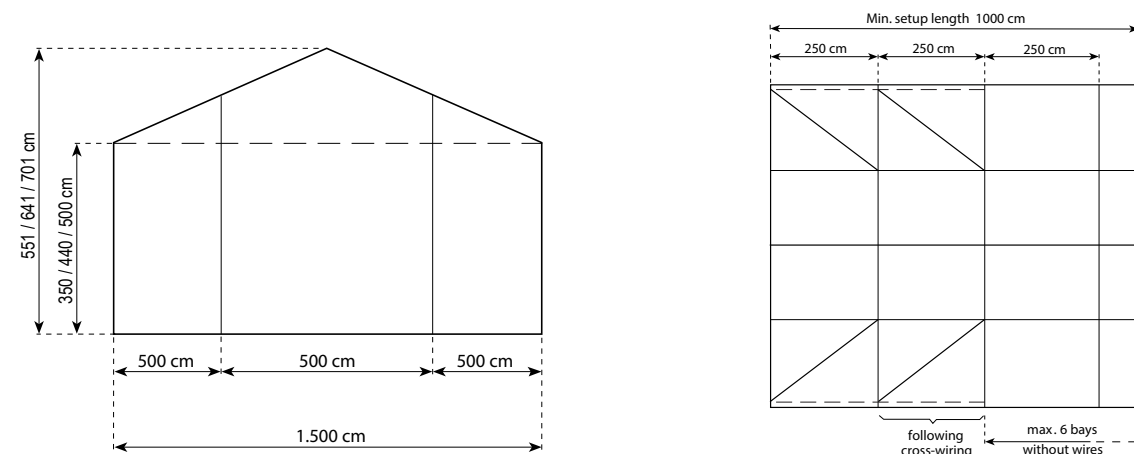
#### STANDARD VERSION

Span	1.250 cm	1.500 cm
Side height	350 / 440 / 500 cm	350 / 440 / 500 cm
Clear height	340 / 430 / 493 cm	340 / 430 / 493 cm
Ridge height	518 / 608 / 668 cm	551 / 641 / 701 cm
Roof pitch	15°	15°
Bay distance / grid	250 cm	250 cm
Longest component	656 cm	785 cm
Min. setup length	1.000 cm	1.000 cm
Main profile	170 x 88 x 3 mm	220 x 100 x 3 mm
Gable column	2	2
Max. setup length	Expandable with the grid	
Max. wind speed according EN	100 km/h	
Snowload	0,85 kN/m <sup>2</sup> - 1,31 kN/m <sup>2</sup>	
Special version	<ul style="list-style-type: none"> <li>· Sliding gates, rolling gates or doors; Sizes on request</li> <li>· Trapezoidal sheet wall covering, stored in track bed on roles movable</li> </ul>	
Tarpaulin	ORGATENT AG, PVDF-coated tarpaulin, according to DIN 18204	

## S-LINE Span 12.50 m



## S-LINE Span 15.00 m



### QUESTIONS AND COMMENTS

We have summarized the most important data and dimensions of our standard constructions for you. All information is without guarantee. No liability is assumed for printing and spelling errors. We would be happy to advise you personally about the optimal construction for your needs. Your Orgatent team is at your disposal to answer any questions you may have about intermediates, special features, conversions and other technical data.